

XR 25 PC USB interface

Materials

R2 = 330 ohm
R3 = 330 ohm
R5 = 1k5
Q1 = BC 557B PNP
D2 = 1n4148
PCB = single islands 6x35 holes
D1 = LED 5mm RED
DIAG = Renault cable (standard cable to obd)
U1 = USB cable with USB interface in connector FTDI

Signals

Renault Cable : brown = pin 2 ground
purple = pin 9 signal

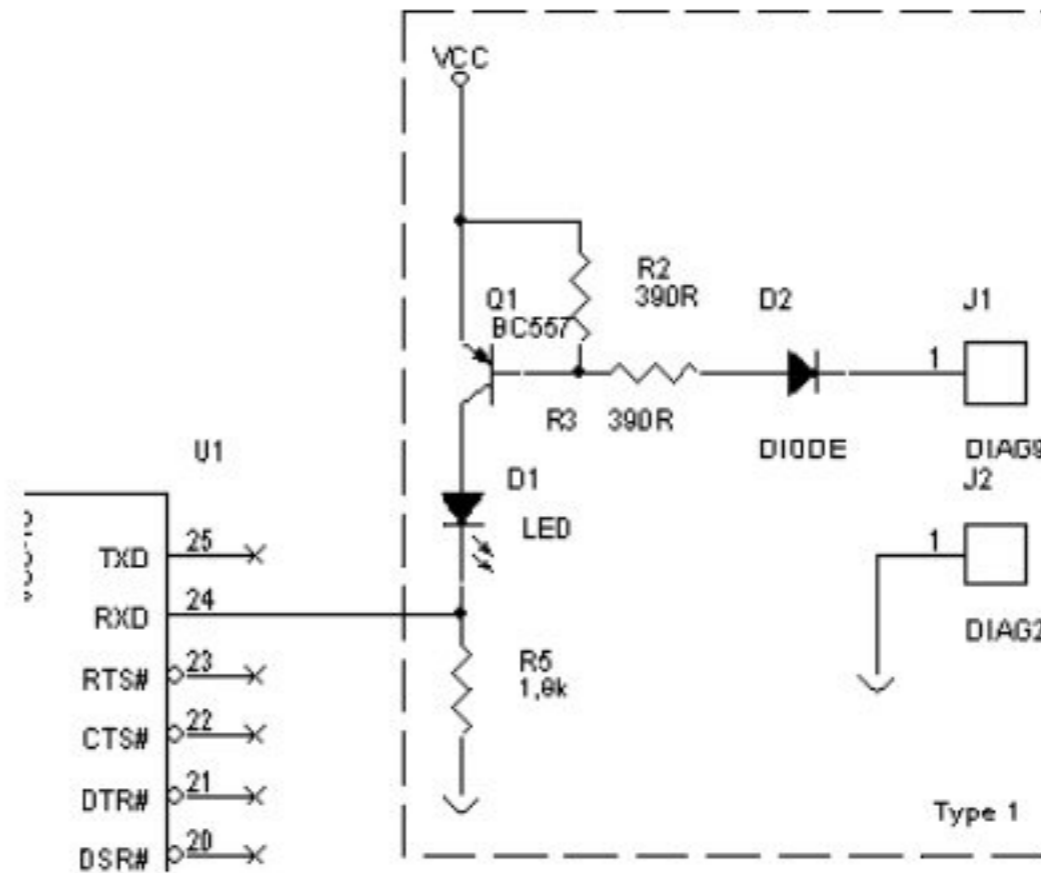
USB Cable : red = +5volt power supply USB
: black = ground
: yellow = RX receive data

Testing cable

connect pin 2 to pin 9 --> LED will light on.

Schematic

see XR25PC interface





TL-232R-5.0V
CE

COPARTNER